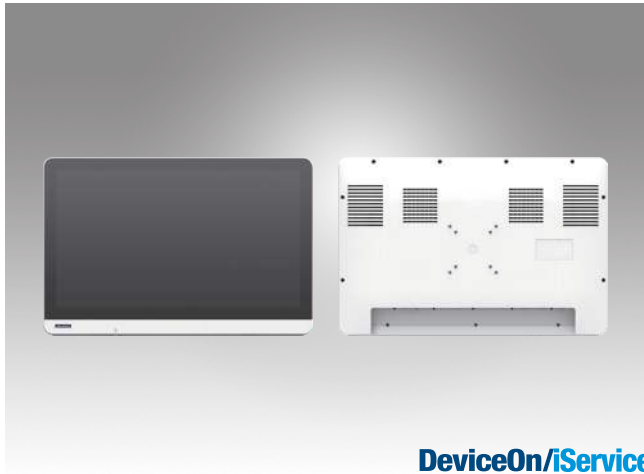


# POC-824

## 24" Point-of-Care Terminal with 9<sup>th</sup> Generation Intel Processor



### Features

- Intel 9th generation core i7 processor, up to 8 core.
- 23.8" full HD display, multi-touch
- NVIDIA MXM modules T1000/RTX3000 supported for edge AI applications
- IP65 front side for Infection control
- Medical 60601-1 compliance
- Optional Wi-Fi, Bluetooth, RFID and camera
- Equipped with Advantech's DeviceOn device management software
- Wi-Fi 6 supported



### Introduction

POC-824 is equipped with an integrated SSD, which facilitates real-time data processing and storage. It also supports MXM graphics modules for high-end graphic applications. Compliant with IEC 60601-1 medical safety standards for electrical devices, POC-8 terminals are built for reliable operation in a wide range of healthcare environments.

Moreover, POC-824 is equipped with Advantech's DeviceOn/iService software, which is a next-generation unified device management solution based on the WISE-DeviceOn platform. With support for batch operations and multi-device control, DeviceOn/iService enables easy device configuration and deployment for convenient remote device management.

### Specifications

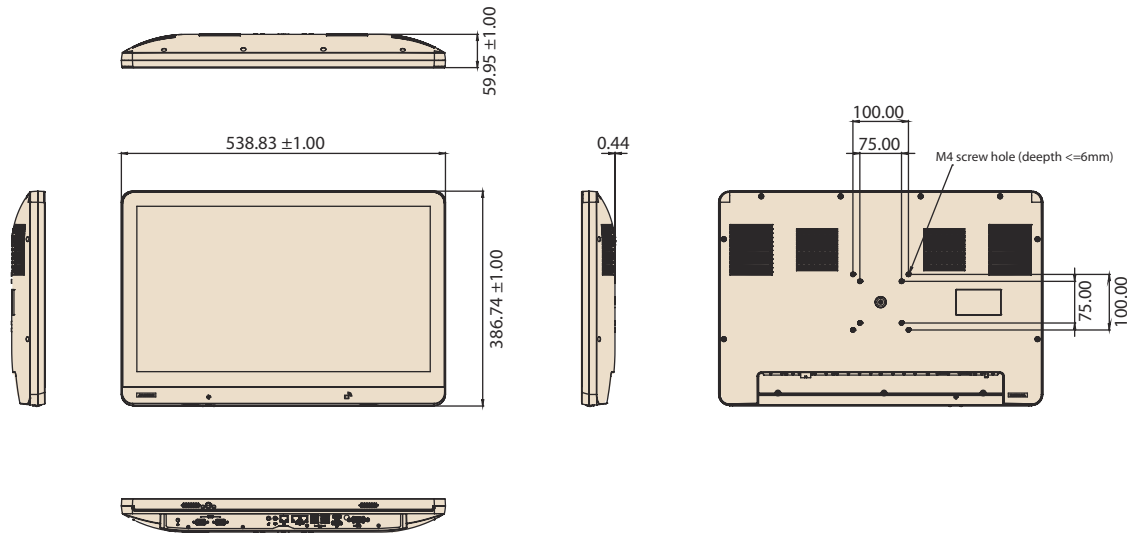
Computing System	CPU*	Intel® Core™ i7-9700E processor, 8 Core, 2GHz (12M cache, up to 4.40 GHz)
	Memory	Support up to 32GB DDR4 SODIMM (See selection list of CTOS service)
	Operating System (Optional)	Windows 10 IoT Ent (64 bits only)
Storage	Primary Storage	Support up to M.2 SSD 512GB (See selection list of CTOS service)
	Secondary Storage (Optional)	2.5" SATA SSD available (up to 2TB)
Display	Size	23.8"
	Max Resolution	1920 x 1080 full HD
Touch	Type	Projected capacitive 10-points (Clear glass). AG/AR support by request
Graphic	MXM Module Options	NVIDIA T1000 or RTX3000 MXM module
I/O ports	DC in	x 1
	USB 3.0	x 4
	HDMI	x 1
	Display Port	x 1
	LAN	x 3
	Line-out	x 1
	Mic-in	x 1
	COM (RS232)	x 2
Expansion Slots	PCIe x 16	x 1 (Slot is reserved for MXM graphic modules and will be occupied if installing a MXM module already.)
	M.2 2242 B. Key	x 1 (for M.2 SSD primary storage)
	M.2 2230 E. Key	x 1 (for Wi-Fi/ Bluetooth module)
Other Functions	Speaker	x 2
	Camera (Optional)	5M pixel camera available
	TPM	2.0 (default)
Power Input	DC	DC input 12V (Adapter 100-240V/ac, max. 240W)
IP Rating	Front Panel	IP65**
Authentication Solution	RFID (Optional)	Module as option available
Certificate	EMC & Safety Certificate	Medical CE, FCC
		Medical, IEC 60601-1 compliance (MDR) UL 60601-1 CCC
Physical Characteristics	Dimensions (W x H x D)	583.38 x 386.74 x 59.95mm (22.97" x 15.23" x 2.36")
	VESA Mount	100 x 100; 75 x 75 mm
	Weight	7.9 kg (17.42 lbs)
Environment	Temperature	Operating: 0° C ~ +35° C
		Storage: 0° C ~ +50° C
Warranty	Warranty	System : 3 year

\*Other CPUs supported by project. For details, please contact the sales representative.

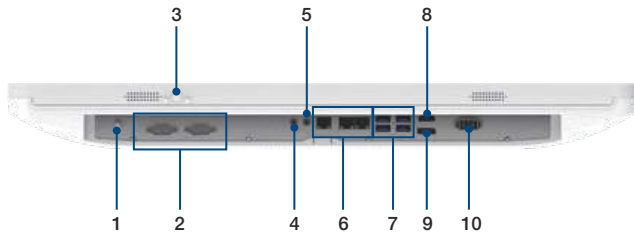
\*\*Optional for whole system IPX1 design. For more details, please contact the sales representative.

## Dimensions

Unit: mm



## I/O Ports



- |                               |                  |
|-------------------------------|------------------|
| 1. Equipotential Terminal Pin | 6. 3 x LAN Ports |
| 2. 2 x COM Ports (RS232)      | 7. 4 x USB3.0    |
| 3. Power Button               | 8. Display Port  |
| 4. Line-out                   | 9. HDMI          |
| 5. Mic-In                     | 10. DC-In        |

## CTOS Service

### System's Barebone PN

Part Number	Description	Panel	CPU	RAM	Touch	SSD
POC-824-11B010-CA	POC-824 Corei7, P-cap, w/o RAM, SSD, MXM	23.8"	i7	NA	P-CAP	NA

### MXM Graphic Card

Part Number	Description	GPU	Memory
POC-MXM-101-8A	POC-821/824 MXM T1000 package, including thermal module	Quadro T1000	GDDR6 4GB
POC-MXM-103-8A	POC-821/824 MXM RTX3000 package, including thermal module	Quadro RTX3000	GDDR6 6GB

### Memory

Part Number	Description
SQR-SD4N4G3K2SNEFB	260pin SODIMM DDR4 3200 4GB
SQR-SD4N8G3K2SNBCB	260pin SODIMM DDR4 3200 8GB
SQR-SD4N16G3K2SNCB	260pin SODIMM DDR4 3200 16GB
SQR-SD4N32G3K2SNAB	260pin SODIMM DDR4 3200 32GB
Part Number	Description
SQR-SD4N4G2K6SNEFB	260pin SODIMM DDR4 2666 4GB
SQR-SD4N8G2K6SNBCB	260pin SODIMM DDR4 2666 8GB
SQR-SD4N16G2K6SNCB	260pin SODIMM DDR4 2666 16GB
SQR-SD4N32G2K6SNME	260pin SODIMM DDR4 2666 32GB

### NVME M.2 SSD Storage

Part Number	Description
SQF-SM4V2-128GCSBC	SQF SATA M.2 2242 640-C 128G
SQF-SM4V2-256GCSBC	SQF SATA M.2 2242 640-C 256G
SQF-SM4V2-512GCSBC	SQF SATA M.2 2242 640-C 512G
SQF-SM4Z2-128GCSBC	SQF SATA M.2 2242 640-C 128G


### 2.5" SSD Storage

Part Number	Description
SQF-S25V2-128GCSBC	SQF 2.5" SATA SSD 640-C 128G
SQF-S25V2-256GCSBC	SQF 2.5" SATA SSD 640-C 256G
SQF-S25V4-512GCSBC	SQF 2.5" SATA SSD 640-C 512G
SQF-S25V4-1TCSBC	SQF 2.5" SATA SSD 640-C 1TB
Part Number	Description
AMF-S25V2-256GDSBC	AMF 2.5" SATA SSD SP111-D 256G
AMF-S25V4-512GDSBC	AMF 2.5" SATA SSD SP111-D 512G
AMF-S25V4-1TDSBC	AMF 2.5" SATA SSD SP111-D 1TB
SQFFS25V8-2TSC	SQF 2.5" SATA FIPS SSD OPAL 840F 2TB

### Wi-Fi + BT Module

Part Number	Description
EWM-W192M201E	Intel Wireless-AC 9260, 2230,2x2 AC+BT,No vPro
EWM-W165M201E	Intel AX210 6E 802.11ax + BT5.2 M.2 2230 No.Vpro

## Recommended Mounting Solution

Model Name	ARES-2423R
Part Number	ARES-2423R-A741L00
Photo	
Max. Support Weight	6 - 12kg
Max. Support Panel Size	≤ 27"
VESA Information	75 x 75 mm 100x100 mm

For more information, please click this link: <https://bit.ly/3T7dLMR>

### 2.5" SSD Mounting Kit

Part Number	Part Description	Qty
1960098903N001	SSD Bracket	1
1940003234	Gasket	1
19330304A0	Screw	8
2130022205T000	Sponge	1
1700032540-01	SATA cable	1
1700018785	Power cable	1

# DeviceOn/iService

## Unified Remote Device Management Software



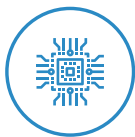
### Features

- Supports Advantech devices equipped with Windows, Android, and Linux OS
- Flexible device, location, user, and permissions management
- Enables remote monitoring and control of hardware, software, and peripherals
- Supports over-the-air (OTA) firmware and software updates
- Ensures quick, easy, and secure device onboarding
- RESTful APIs for third-party system integration

### Introduction

Advantech's DeviceOn/iService is a next-generation unified device management solution based on the WISE-DeviceOn platform. Designed to enable centralized monitoring and remote management, DeviceOn/iService supports Advantech devices equipped with Windows, Linux, or Android operating systems. The software also supports the management of applications and integrated peripherals, such as a barcode scanner, card reader, camera, and printer. Users can remotely access and control connected devices, take screenshots, rollout OTA upgrades, and use remote desktop capabilities for troubleshooting from any location at any time. Moreover, DeviceOn/iService supports batch operations to facilitate the management of multiple devices simultaneously for easy and convenient device configuration and deployment.

### Total Management



#### Devices & Hardware

- Windows, Linux, Android
- Hardware, storage, battery



#### Software & Peripherals

- Software monitoring & access
- Screens, USB devices, printers



#### Open for Expansion

- Peripheral integration
- Open APIs for integration

### Remote Access



#### Real-Time Monitoring

- Connection/hardware status
- Software/peripheral status
- Failure notifications



#### Remote Controls

- Power controls
- Audio, backlight controls
- Software controls



#### Troubleshooting

- Screenshots
- Remote desktop support

### Operational Efficiency



#### OTA updates

- System/software updates
- File repository management
- App store



#### Batch Controls

- 1-to-many batch reboot, etc.
- Time-saving tasks



#### Setup Booster

- Software/peripheral watchlist
- Roles, rule templates

Note: Some functions may vary according to the product

### System Architecture



## DeviceOn/iService Specifications

DeviceOn/iService Remote Device Management	Operating System	Windows 10
	Common Controls (Reboot, Shutdown)	✓
	Remote desktop	✓ (VNC)
	Device-Specific Controls (Audio, Backlight)	✓*
	Connection Status	✓
	Hardware Status	✓*
	Hard Disk Status	✓*
	Batch Operation Support	✓
	OTA Storage Management	FTP
	OTA Software Updates	✓
	Software Watchlist	✓
	Software Start/Stop	✓*
	Peripherals Watchlist	✓*

\* Dependant on device model

Note:

1. DeviceOn/iService software must be downloaded from the Advantech website at <https://www.advantech.com/search/?q=DeviceOn%2FiService&st=support&sst=Utility>