

# PPC-L61T

## 6.5" Fanless Panel PC with AMD Geode™ LX800 Processor



### Features

- 6.5" TFT VGA LCD
- AMD Geode LX800 CPU on board
- System memory up to 1 G DDR SDRAM
- One CompactFlash® Type I/II socket (True IDE Mode)
- Microsoft® Windows® CE 6.0 and XP Embedded are available
- 10/100Base-T Ethernet
- Fanless and ultra-low power consumption
- Adjust RS232/422/485 through BIOS
- Aluminum Front cover



### Introduction

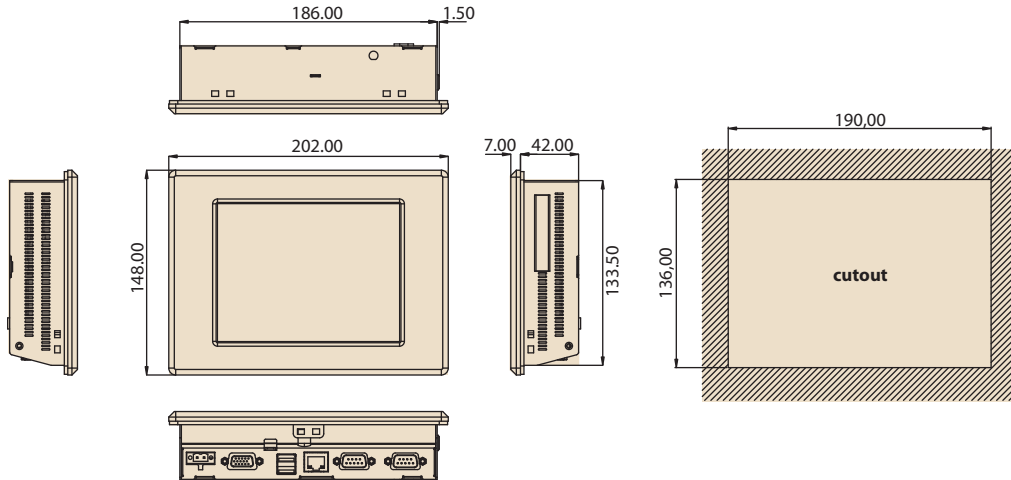
PPC-L61T is a 6.5" industrial-grade Panel PC (PPC) for small interface requirements such as Human Machine Interfaces (HMI) or Multifunctional Products (MFP). PPC-L61T is highly reliable because it incorporates a low power CPU that does not need a cooling fan. The robust aluminum makes this interface suitable for long-term solutions, and especially suitable for environments such as chemical and food processing plants. PPC-L61T comes with an embedded OS for faster application development, so driver development and customization of images do not slow down project implementation.

### Specifications

Processor System	CPU	Onboard AMD Geode LX800 (500 MHz)
	Memory	1x 200-pin SODIMM socket that accepts a 256/512/1024 MB DDR 333/400
	2nd Cache Memory	128 KB on-die
	Chipset	AMD Geode CS5536
	BIOS	4 Mbit Flash BIOS
	SSD	One type I/II CompactFlash socket
	HDD	PPC-L61T-CE-RTE comes with one 256 MB built-in CompactFlash card 1 x 2.5" external SATA HDD module (Optional)
	I/O Ports	- 2 x Serial ports: RS232 x 1, RS232/422/485 x 1 - 4 X USB ports (2 x external, 2 x internal) - 1 x VGA port - 1 x 1.3 W speakers (Optional)
	Bus Expansion	1x MINI PCI expansion slot
	Network (LAN)	10/100Base-T Ethernet
	Watchdog Timer	255 timer levels; setup by software
	Dimensions (W x H x D)	202 x 148 x 49 (7.9" x 5.82" x 1.92")
	Weight	1.2 kg (2.64 lb)
	OS Support	Microsoft Windows XPE, CE, XP
Power Supply	Input Voltage 12 V <sub>DC</sub> ~ 30 V <sub>DC</sub> , 2.5 A max	
LCD Display	Display Type	6.5" TFT LCD
	Max. Resolution	640 x 480
	Colors	262 K
	Dot Size (mm)	0.207 X 0.207
	Viewing Angle	70 (left), 70 (right), 60 (up), 60 (down)
	Luminance	400 cd/m <sup>2</sup>
	Operating Temperature	-10 ~ 70° C (14 ~ 158° F)
Backlight Lifetime	50,000 hrs	
Touchscreen	Type	Analog Resistive 4 wires
	Resolution	Continuous
	Light Transmission	80%
	Controller	USB interface
	Software Driver	Supports Windows XP, CE
	Durability (Touches)	10 million

## Dimensions

Unit: mm (inches)



## Specifications

Environmental Specifications	Operating Temperature	0 ~ 50° C (32 ~ 122° F)
	Storage Temperature	-20 ~ 60° C (-4 ~ 140° F)
	Relative Humidity	10 ~ 95% @ 40° C (non-condensing)
	Shock (Operating)	10 G peak acceleration (11 ms duration)
	Vibration	1 G
	EMC	BSMI, CE, FCC Class B, VCCI
	Safety	CB, CCC, BSMI, UL
	Front Panel Protection	IP 65 / NEMA compliant

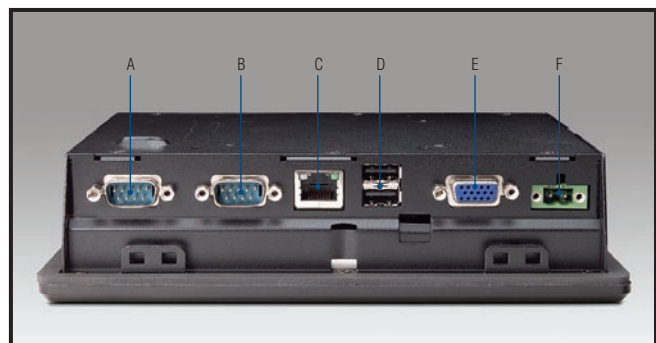
## Ordering Information

Part No.	Description
PPC-L61T-070-XE	AMD LX800 ( 500 MHz) Process based Fanless Panel PC with 6.5 inch TFT LCD
PPC-L61T-R70-XE	PPC-L61T-070-XE with Resistive touchscreen
PPC-L61T-CE-RTE	PPC-L61T with Windows CE.Net (English) on 256 MB CompactFlash

## Accessories

Part No.	Description
PS-DC19-L60	19 V <sub>DC</sub> power adapter module for PPC-L60T/ PPC-L61T
PPC-174 WL-MT	Wall mount kit for PPC-174T
989KL61T00E	HDD kit for PPC-L61T (SATA Interface)
989KL12709E	Wireless LAN Module for PPC-L127T
1700001524	POWER CABLE 3P/3P POWER SUPPLY 1.8M FPM-306

## Fully-Integrated I/O



- A. Serial Port (RS232/422/485)
- B. Serial Port ( RS232)
- C. Ethernet Jack
- D. USB 2.0 X 2
- E. VGA port
- F. DC inlet